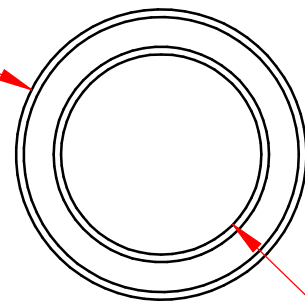
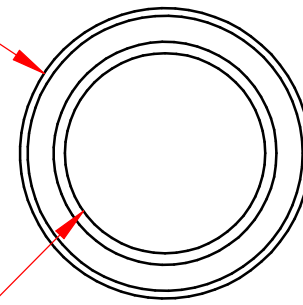


DO NOT SCALE DRG

Ø 38



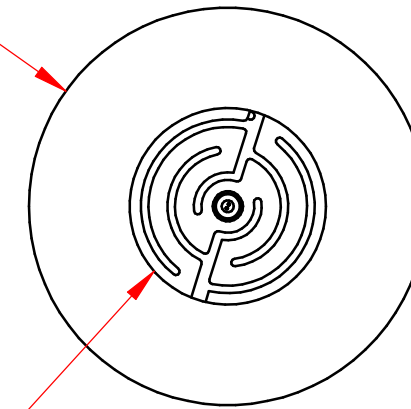
Ø 38



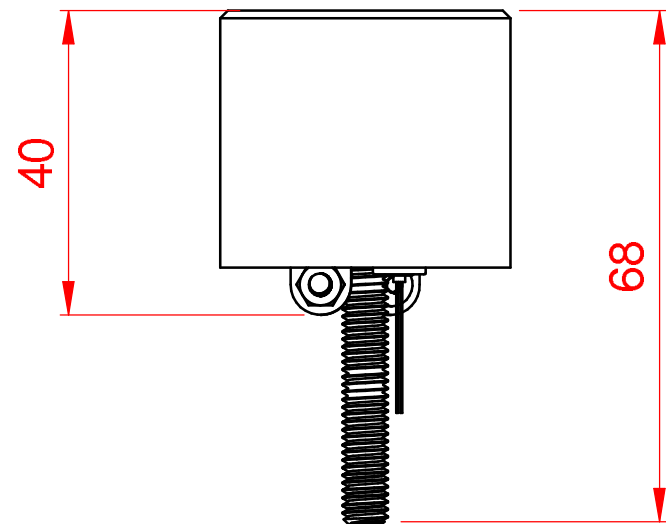
Ø 26,5  
HOT-ZONE

ALUMINIUM NITRIDE  
FRONT PLATE

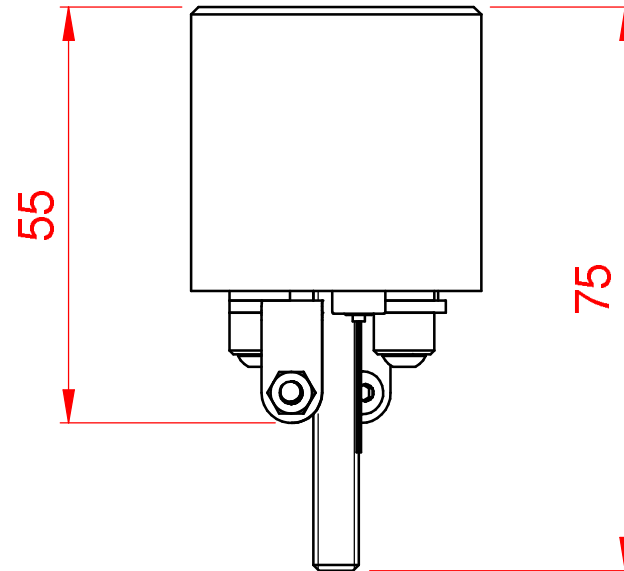
Ø 53



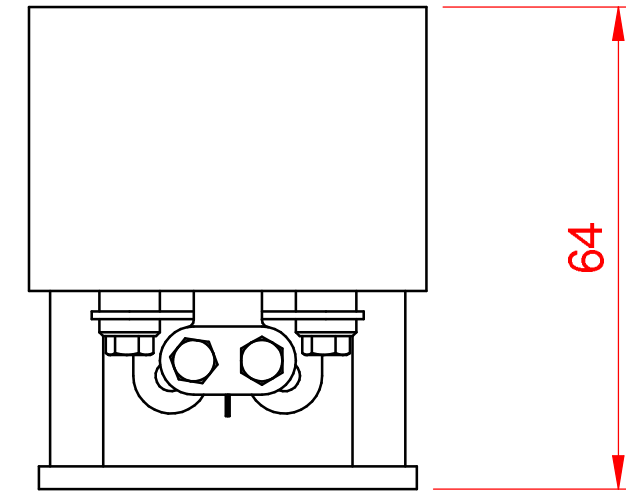
EXPOSED ELEMENT  
- OPTIONAL CERAMIC COVER




1000c - O2 ATMOSPHERE TO MEDIUM VACUUM



1400c - HIGH VACUUM



1600c - ULTRA HIGH VACUUM

				MATERIAL:											
				FINISH: NATURAL, 1.6µm Ra											
				DEBURR ALL SHARP EDGES ALL SURFACES TO BE FREE FROM NICKS AND SCRATCHES											
				TOLERANCES (EXCEPT AS NOTED):				ANGULAR: ± 30'							
				DIM UNDER 250mm 250-500mm 500-1500mm ABOVE 1500											
0 INITIAL ISSUE				30/08/19				CB				SCALE: -- DRAWN: Chris CHECKED: MB APPROVED: - QTY:			
NO. REVISION DESCRIPTION				DATE				BY				DATE: 30/08/19 DATE: 30/08/19 DATE: -			
©SEMIQUIP LTD												TITLE: 1 INCH, STANDARD HEATER RANGE.			
NOTE: THIS DRAWING CONTAINS PROPRIETARY INFORMATION WHICH MAY NOT BE DISCLOSED TO OTHERS NOR USED FOR MANUFACTURE WITHOUT WRITTEN PERMISSION FROM SEMIQUIP LTD.												A/C No: DWG NO.			